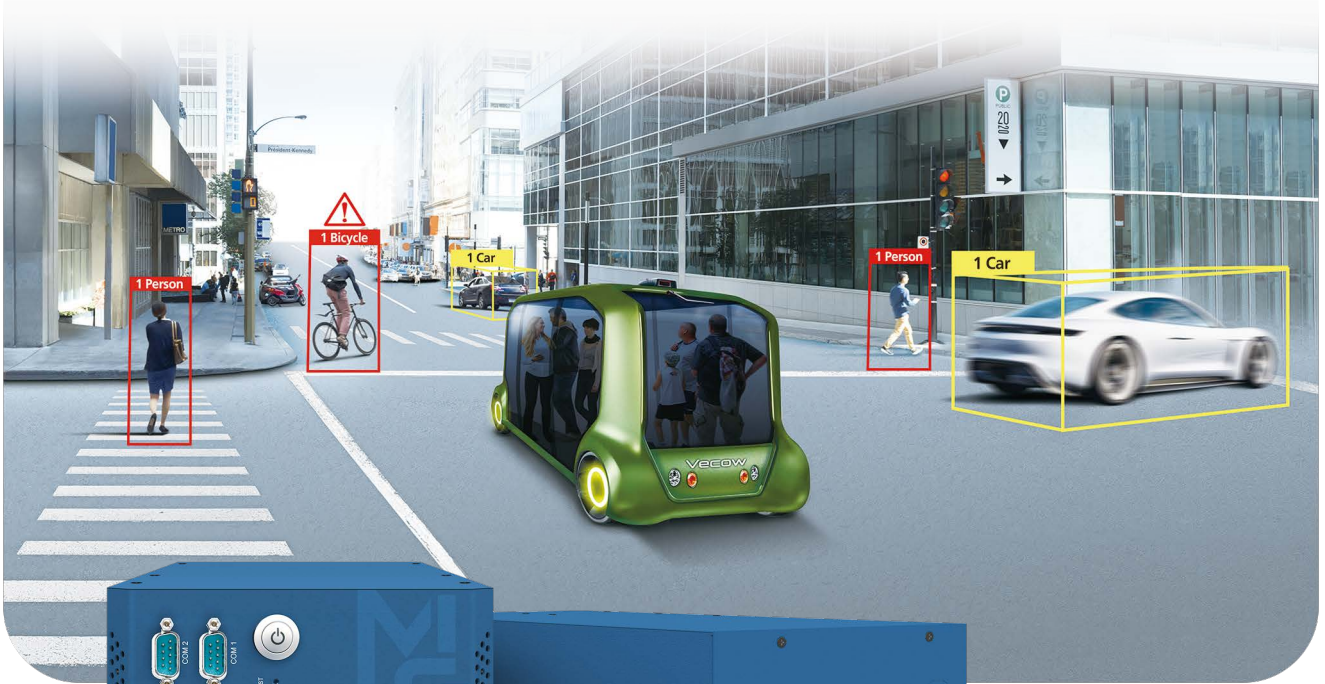


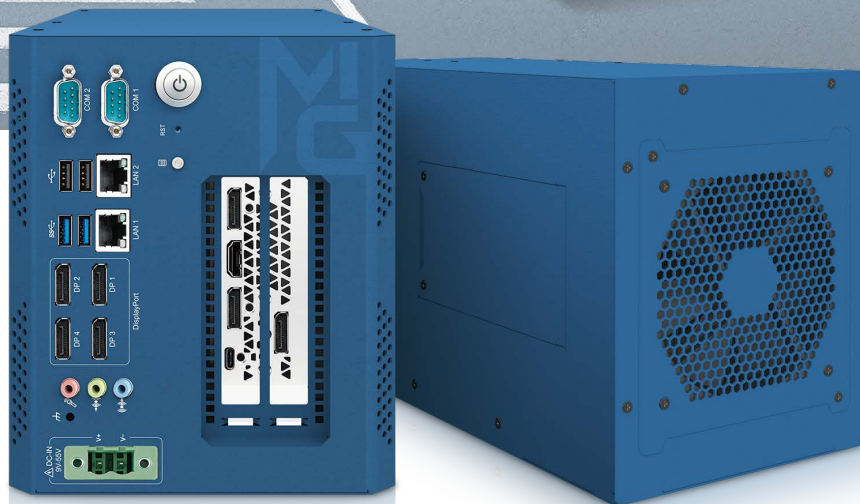
# MIG

# 1000

AMD Ryzen™ Embedded V1807B Processor AI Computing System with  
NVIDIA® Tesla®/Quadro®/GeForce®/AMD Radeon™ Graphics



▲ Autonomous Vehicles



- 4-core 8 threads AMD Ryzen™ Embedded V1807B APU running with intergard AMD Radeon™ Vega 11 Graphics serves the breakthrough performance of the pioneering AMD Zen CPU and Vega GPU architectures in SoC solution.
- 2 DDR4 3200MHz memory, up to 64GB
- 0°C to 60°C Operating Temperature with CPU fan
- 4 DisplayPort support up to 4 independent 4K/60 fps displays and 4K Decode & Encode
- 9V to 55V wide range DC Power Input
- PCIe x16 expansion supports up to 750W Power Budget for independent 2-slot graphics card

▼ Medical Imaging



▲ Smart Manufacturing



## Vecow

## Specifications

### System

Processor	AMD Ryzen™ Embedded V1807B APU
BIOS	AMI
SIO	F81865F
Memory	2 DDR4 3200MHz SO-DIMM, up to 64GB
OS	Windows 10, Windows 7, Linux

### I/O Interface

Serial	2 COM RS-232
USB	- 2 USB 3.0 - 2 USB 2.0
LED	HDD, Power

### Expansion

PCIe Slot	1 PCIe x 16 Slot
-----------	------------------

### Graphics

Graphics Processor	AMD Radeon™ Vega 11 Graphics
Interface	4 DisplayPort : Up to 4096 x 2160 @60Hz

### Storage

SATA	1 SATA III (6Gbps)
M.2	1 M.2 Key M Socket (2280, PCIe x4)

### Audio

Audio Codec	Realtek® ALC662, 5.1 Channel HD Audio
Audio Interface	1 Mic-in, 1 Line-out, 1 Line-in

### Ethernet

LAN 1	Realtek RTL8111G GigE LAN
LAN 2	Realtek RTL8111G GigE LAN

### Power

Power Input	9V to 55V, DC-in
Power Interface	2-pin Terminal Block : V+, V-

### Others

HW Monitor	Monitoring temperature, voltages. Auto throttling control when CPU overheats.
------------	---

### Mechanical

Dimensions	162.6mm x 203.6mm x 385.0mm (6.4" x 8.02" x 15.16")
Weight	5.3 kg (11.45 lb)
Mounting	Wallmount by mounting bracket

### Environment

Operating Temp.	0°C to 60°C (32°F to 147°F)
Storage Temp.	-40°C to 85°C (-40°F to 185°F)
Humidity	5% to 95% Humidity, non-condensing
Relative Humidity	95% @60°C
Shock/Vibration	- IEC 61373 : 2010 - Railway Applications : Rolling Stock Equipment, Shock and Vibration Tests
EMC	CE, FCC, EN50155, EN50121-3-2

## Order Information

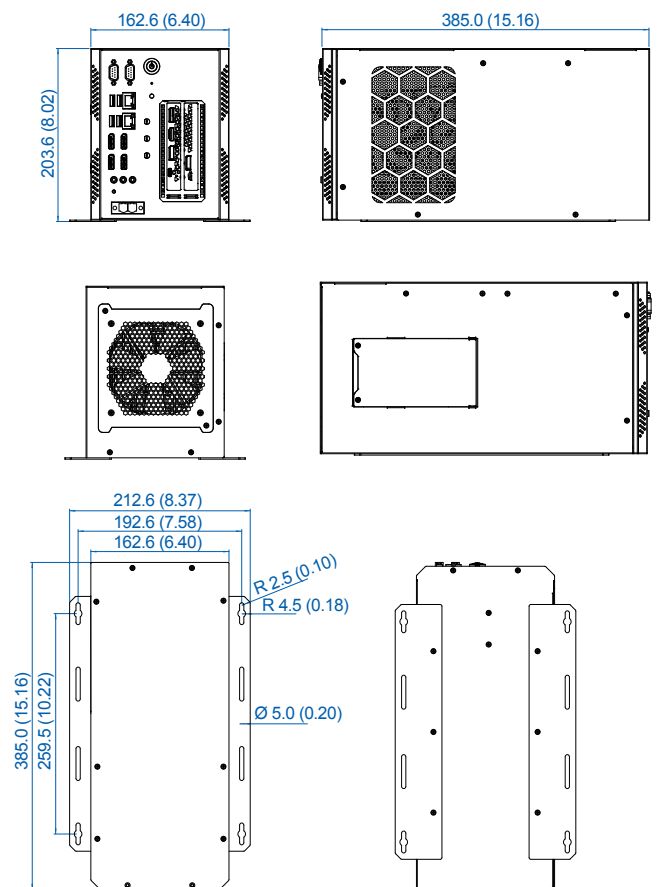
Model	GigE LAN	SSD Tray	PCIe x8	USB 3.1	USB 2.0	COM	DP	System Fan
MIG-1000	2	1	1	2	2	2	4	Y

### Accessories

DDR4 32G	Certified DDR4 32GB 3200MHz RAM
DDR4 16G	Certified DDR4 16GB 3200MHz RAM
DDR4 8G	Certified DDR4 8GB 3200MHz RAM
DDR4 4G	Certified DDR4 4GB 3200MHz RAM
PWS-480W-WT	480W, 24V, 90V AC to 305V AC Power Supply, Wide-Temp, IP65
PWS-600W	600W, 24V, 90V AC to 305V AC Power Supply
PWS-600W-WT	600W, 28.8V, 90V to 305V AC Power Supply, Wide Temperature -40°C to +70°C
PWS-1000W-24V	1000W, 24V, 90V AC to 264V AC Power Supply

## Dimensions & Drawing

Unit : mm (inch)



\* All product information may subject to change without prior notice.

\* The rights of all brand names, product names and trademarks belong to their respective owners.  
Copyright © 2021 Vecow Co., Ltd. All rights reserved.